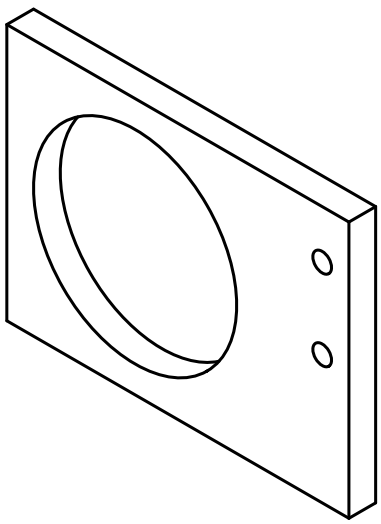
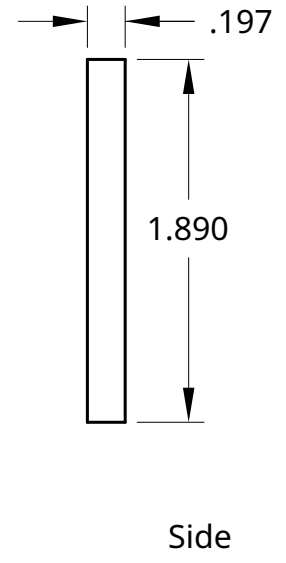
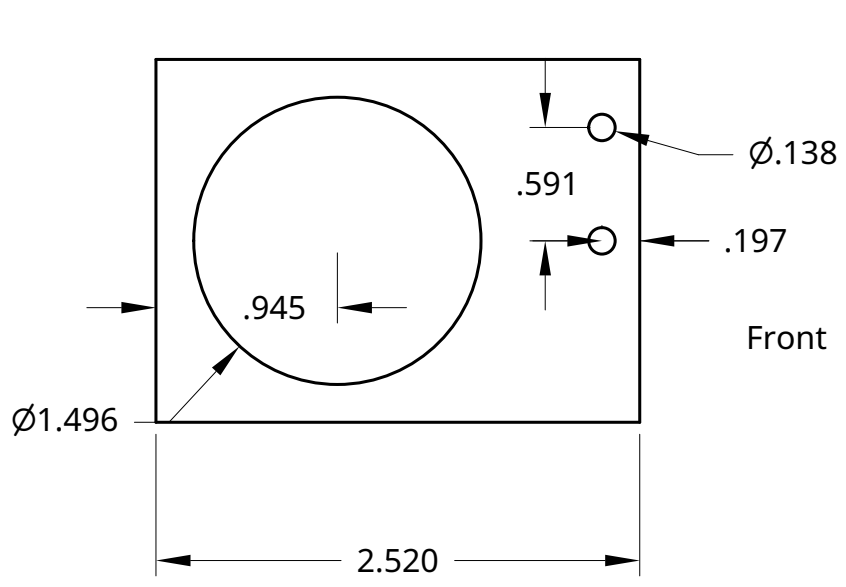


2

1



Isometric

| | | | | | |
|---|----------|--------------|------------|--|--------|
| UNLESS OTHERWISE SPECIFIED, DIMENSIONS ARE IN INCHES .XX = ±.0- .XXX = ±.00- .XXXX = ±.000- SURFACE FINISH | | NAME | DATE | TITLE Linear Slide Motor Mount | |
| DO NOT SCALE DRAWING | DRAWN | Mark Hazen | 02/19/2019 | | |
| BREAK ALL SHARP EDGES AND REMOVE BURRS | CHECKED | Drew Busch | 2/19/19 | | |
| THIRD ANGLE PROJECTION | APPROVED | Kristi Hazen | 2/19/19 | | |
| | MATERIAL | FINISH | SIZE | DWG NO. | REV. |
| | | | 1:1 | 8 | |
| | | | WEIGHT | SHEET | 1 of 1 |

2

1

B

B

A

A